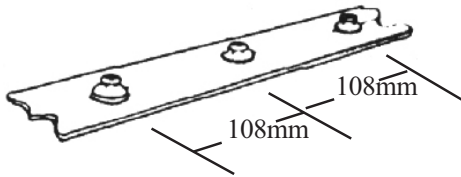
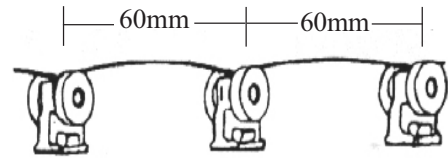


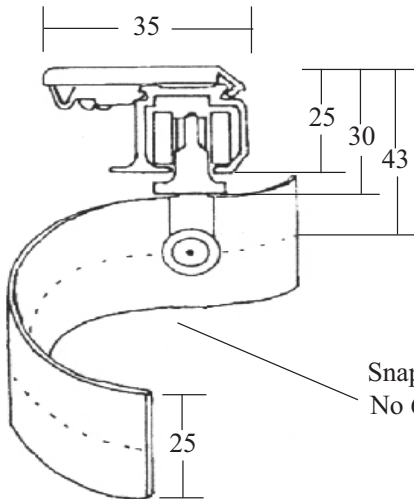
100% Roller Carrier Dimensions
No 68382



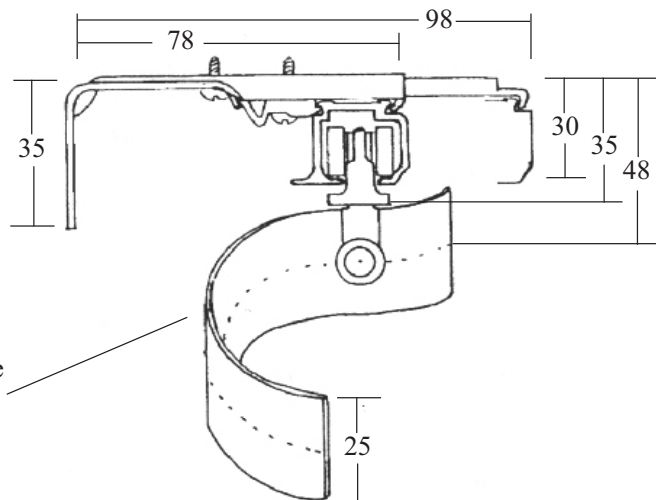
Snap Tape Dimensions



80% Roller Carrier Dimensions
No 68381



Small Ceiling Bracket
No 5253S



Single Centre Support Bracket
No 5255

Snap Tape
No 68463

* Tip : Min Proj For Reverse Bends (95mm Wall To Front Of Track)